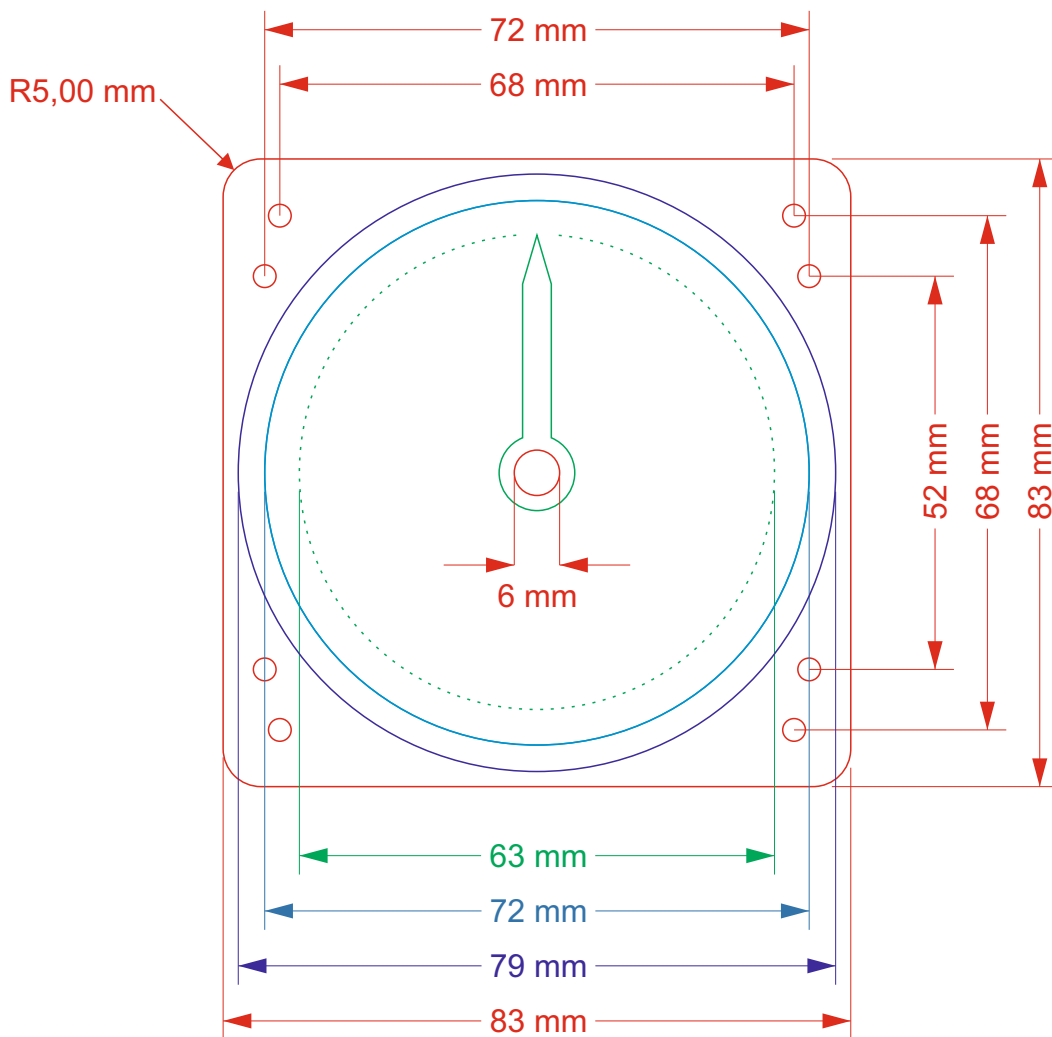


SCALE 1:1



Needle pointer

Visible area

Panel cut