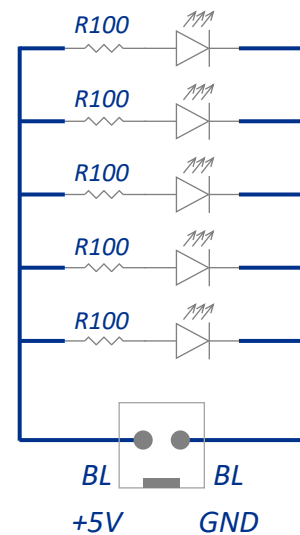
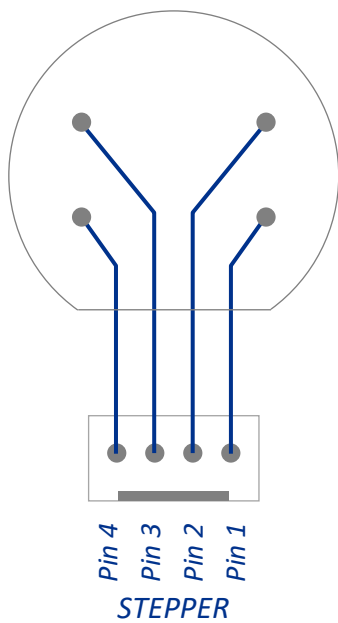
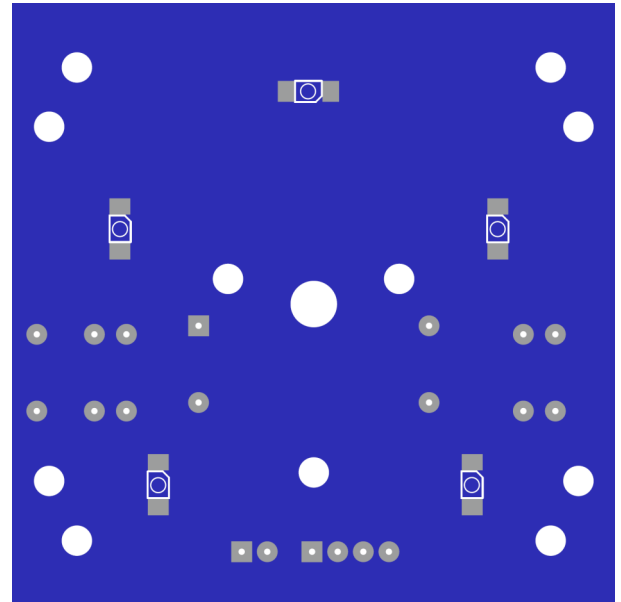
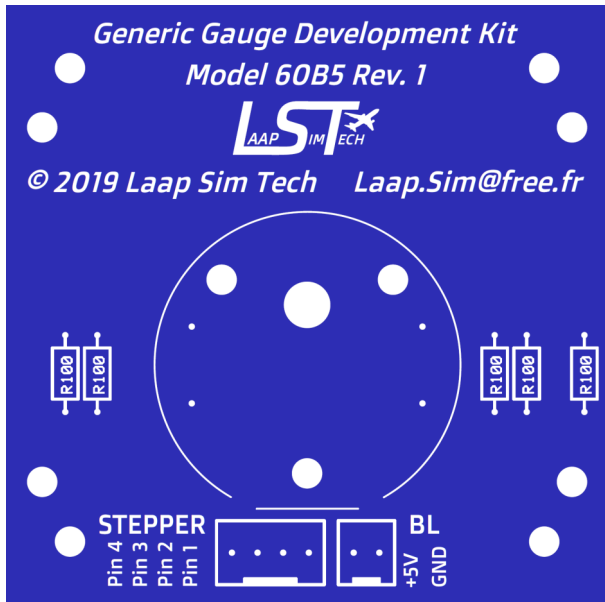
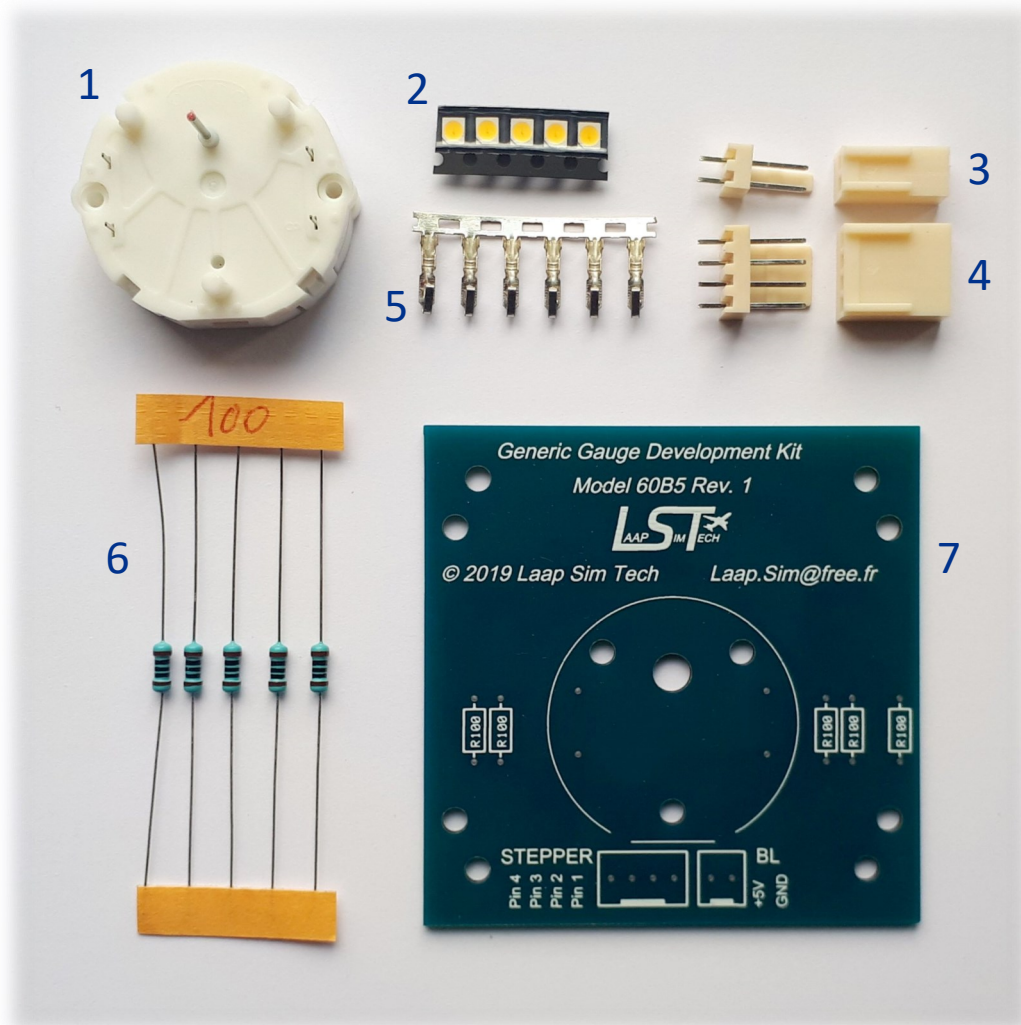


## 1- Overview

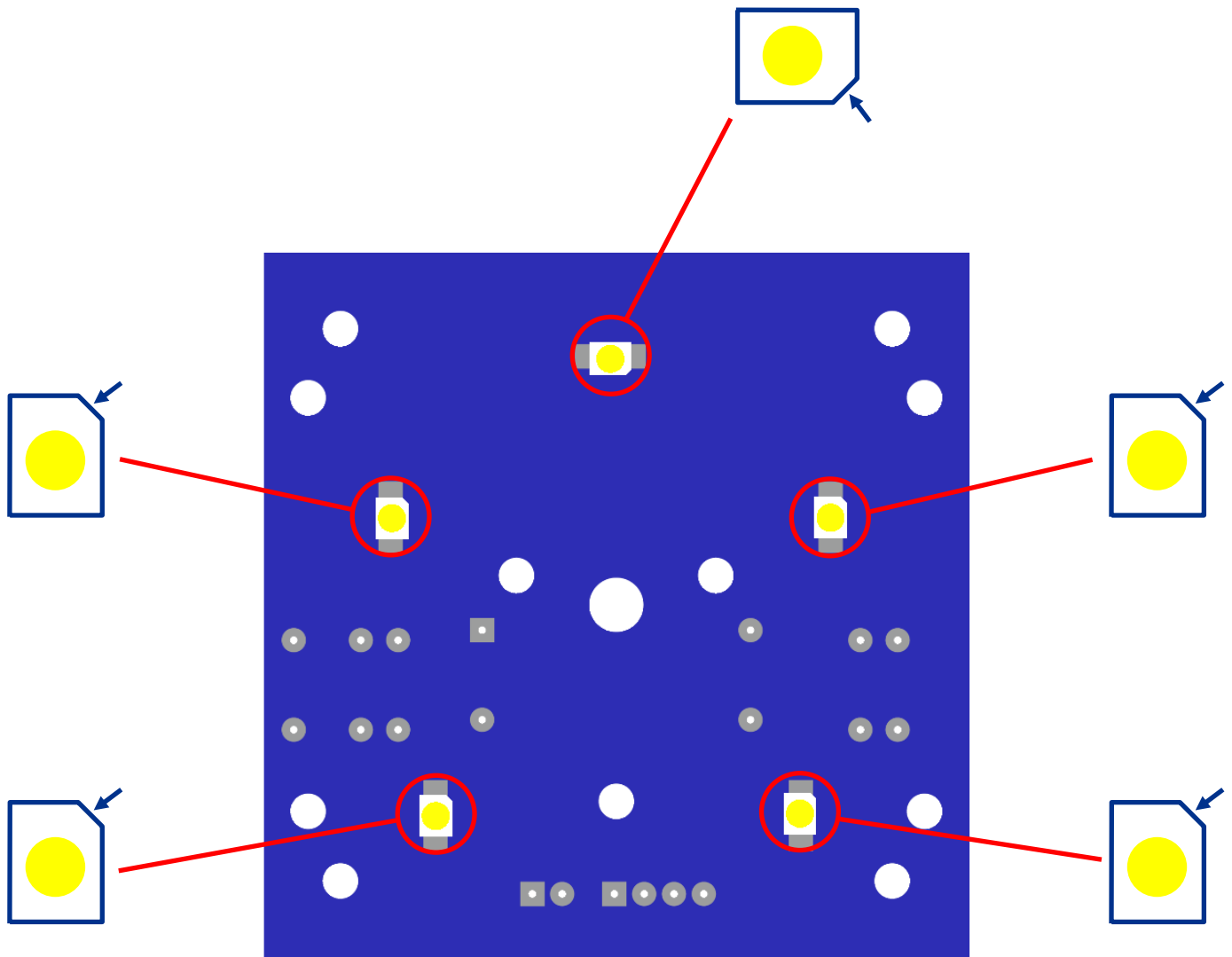


## 2- Kit content

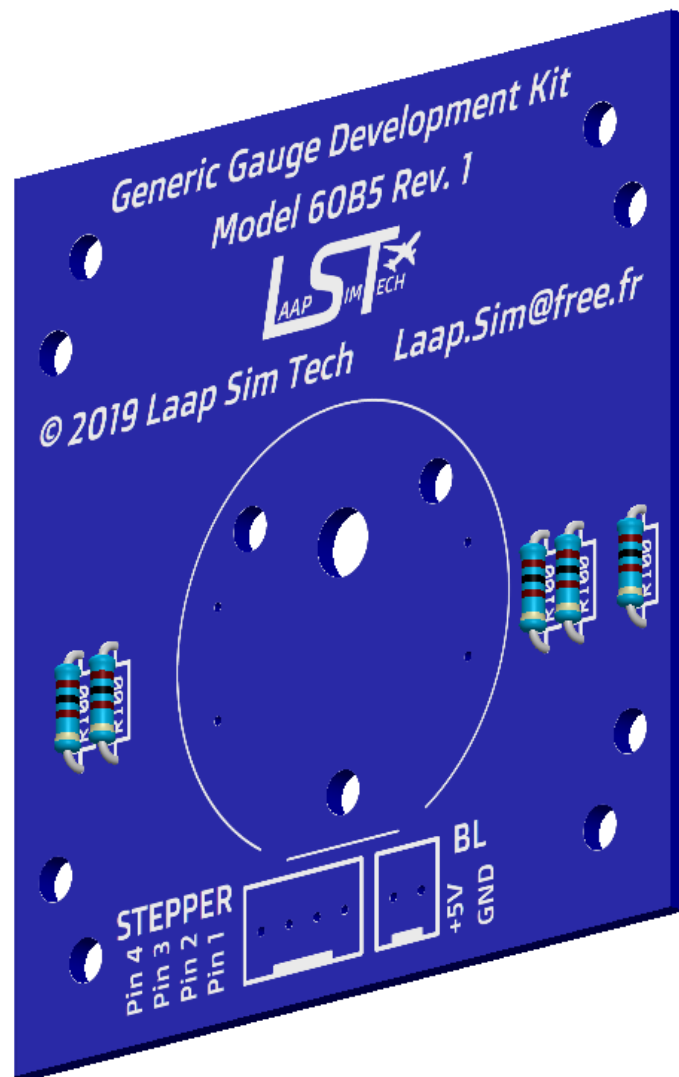


(1)	X27 Stepper	x1
(2)	SMD Leds	x5
(3)	2 pin connector (M + F)	x1
(4)	4 pin connector (M + F)	x1
(5)	Contacts for female connectors	x6
(6)	100Ω resistors	x5
(7)	PCB model 60B5	x1

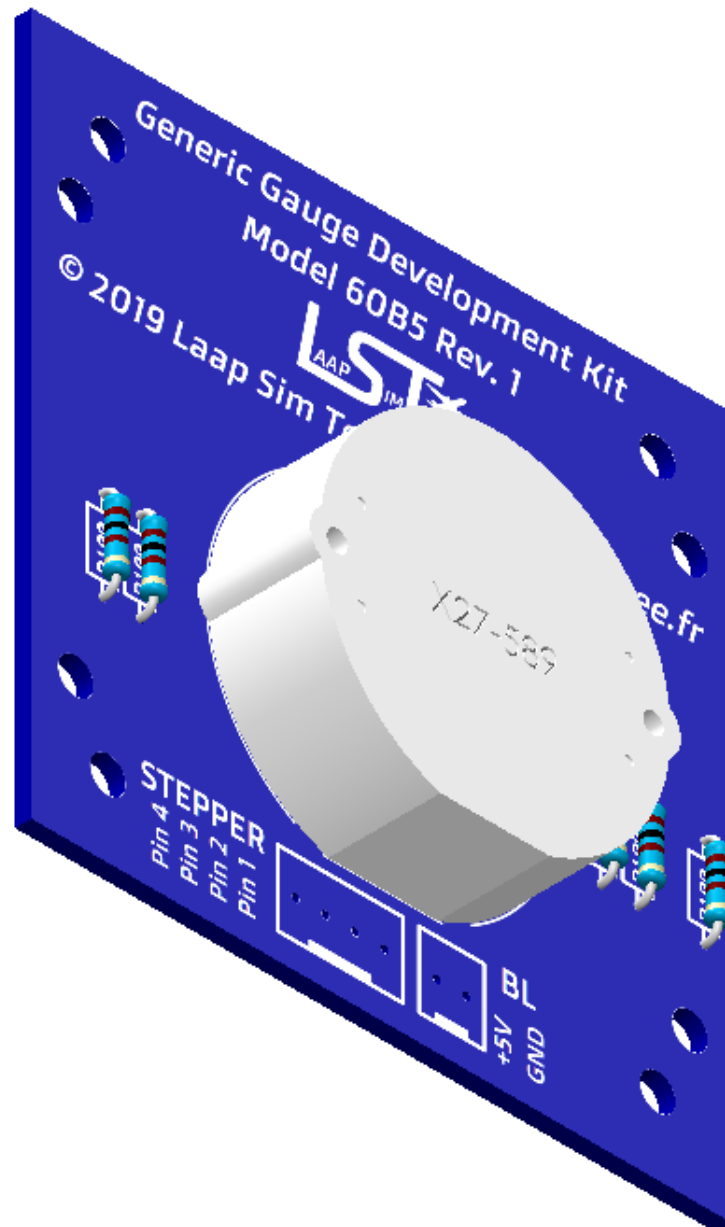
*3a- SMD Leds (x5)*



3b- Resistors R100 (x5)



### 3c- Stepper motor



### 3d- Connectors (x2)

