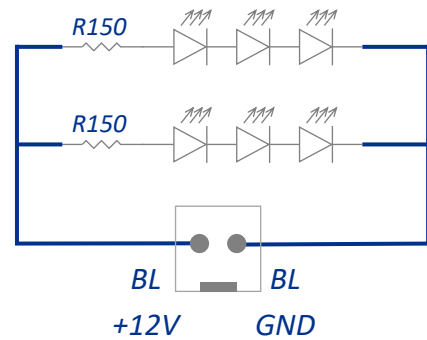
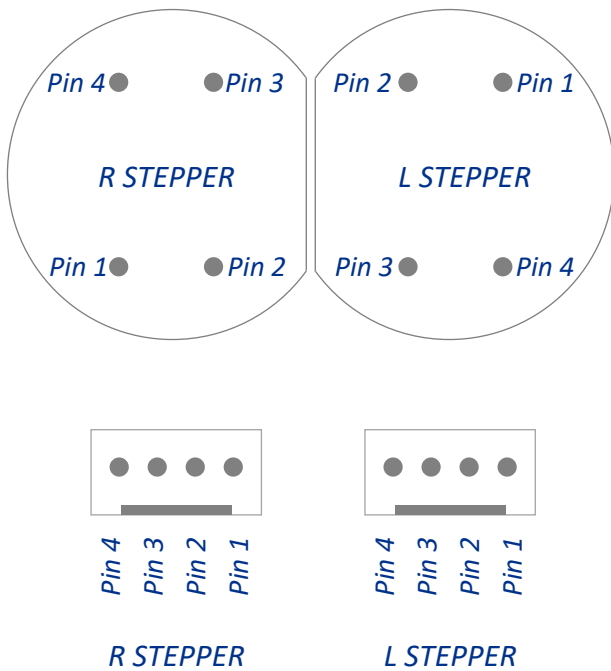
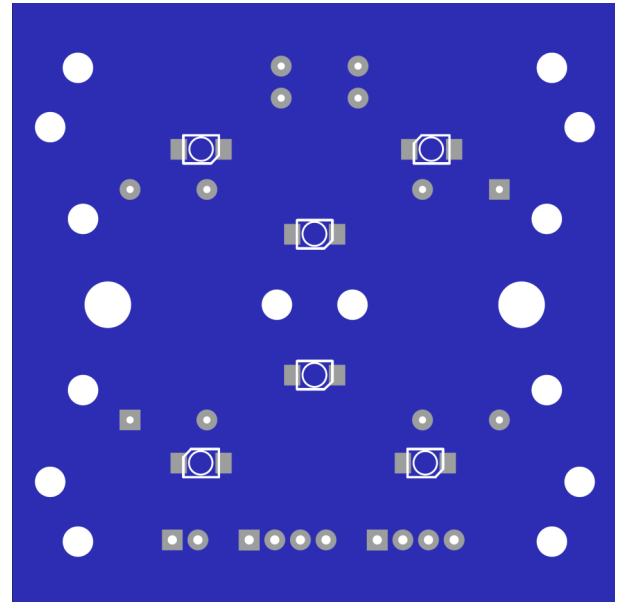
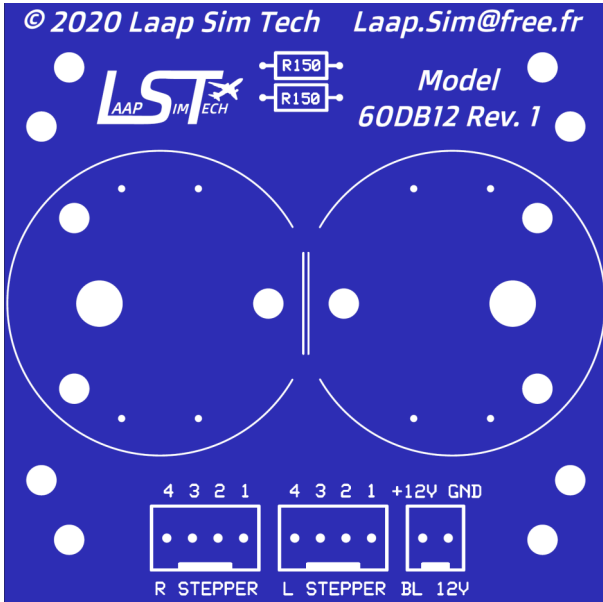
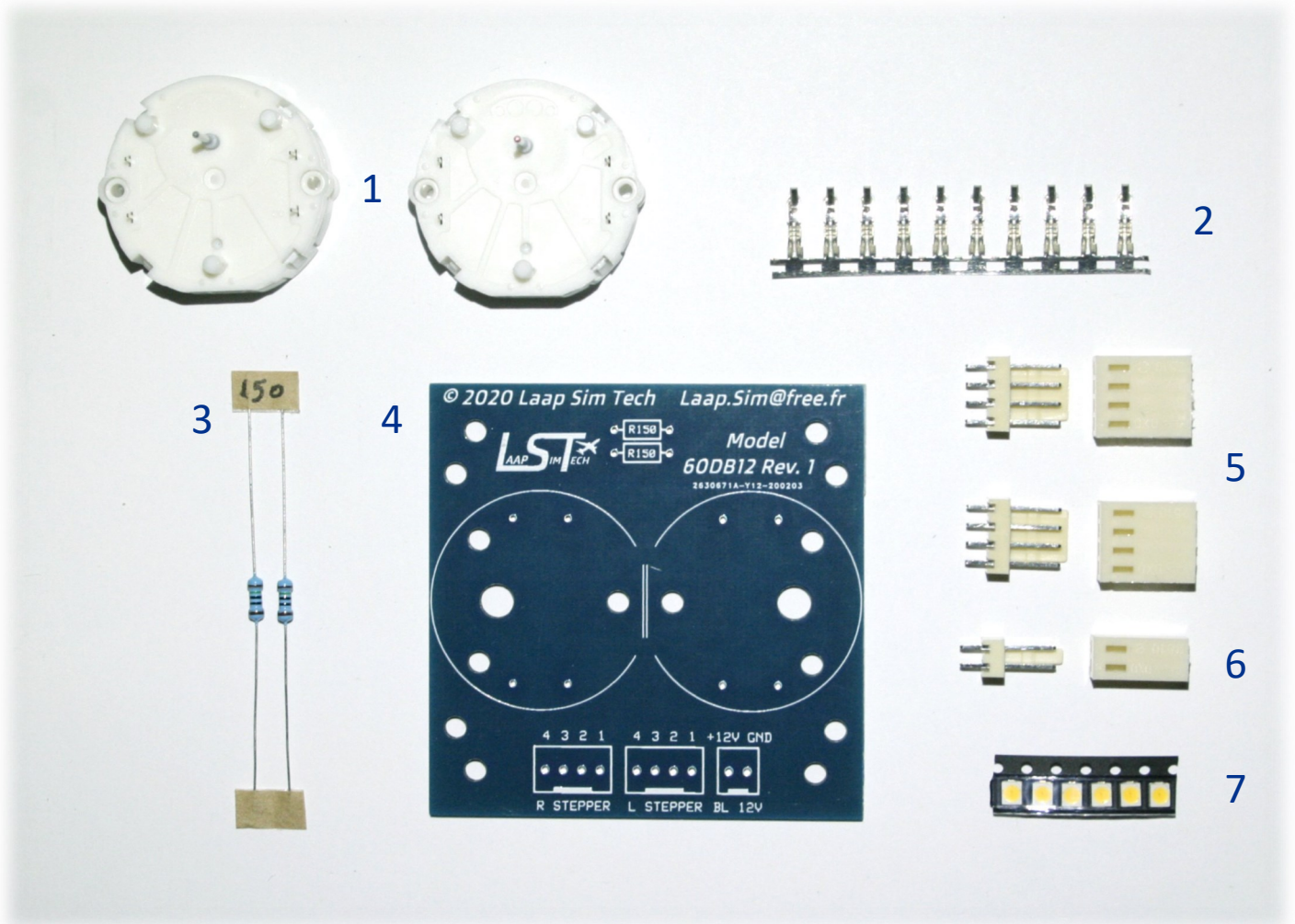


1- Overview

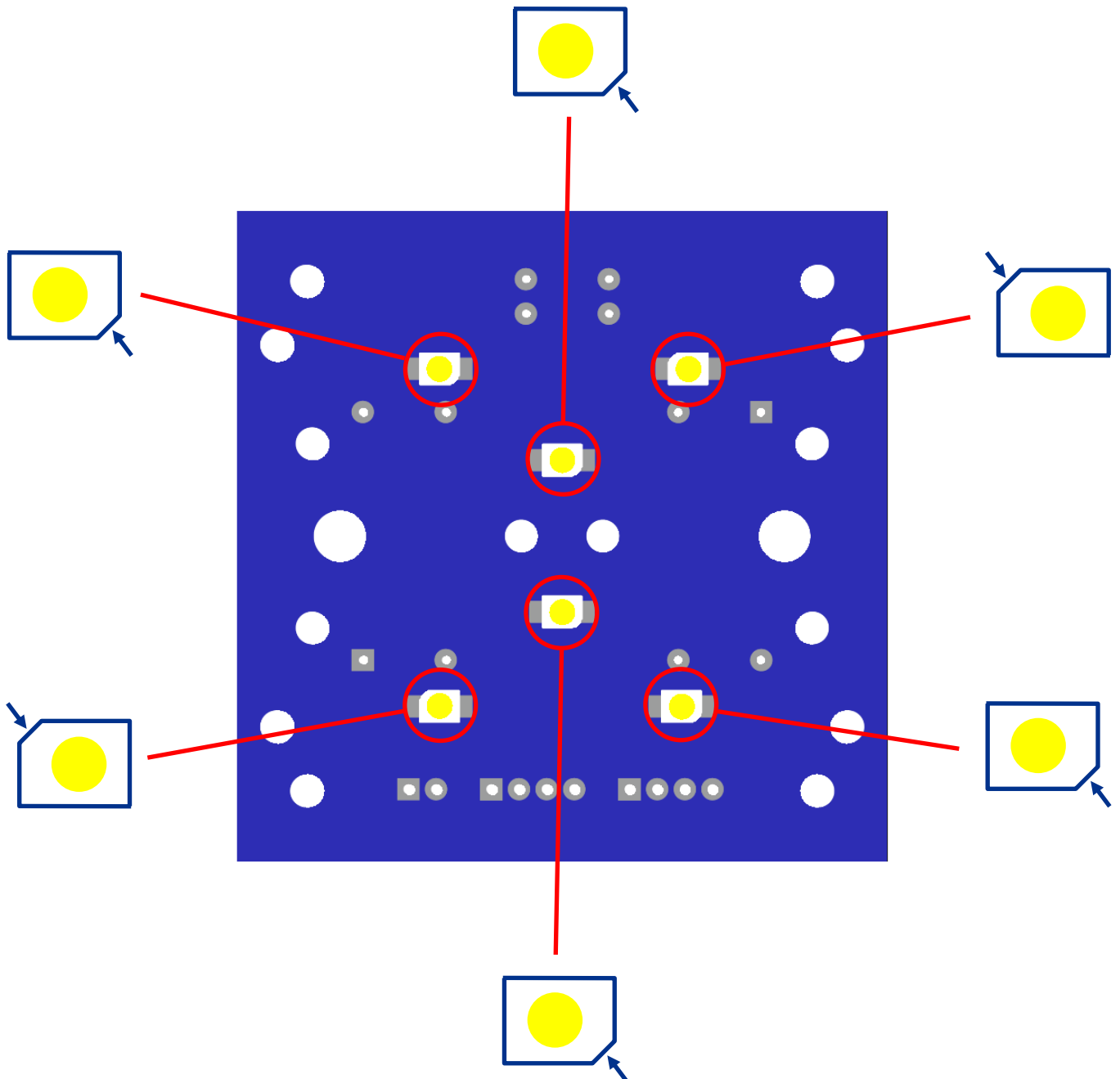


2- Kit content

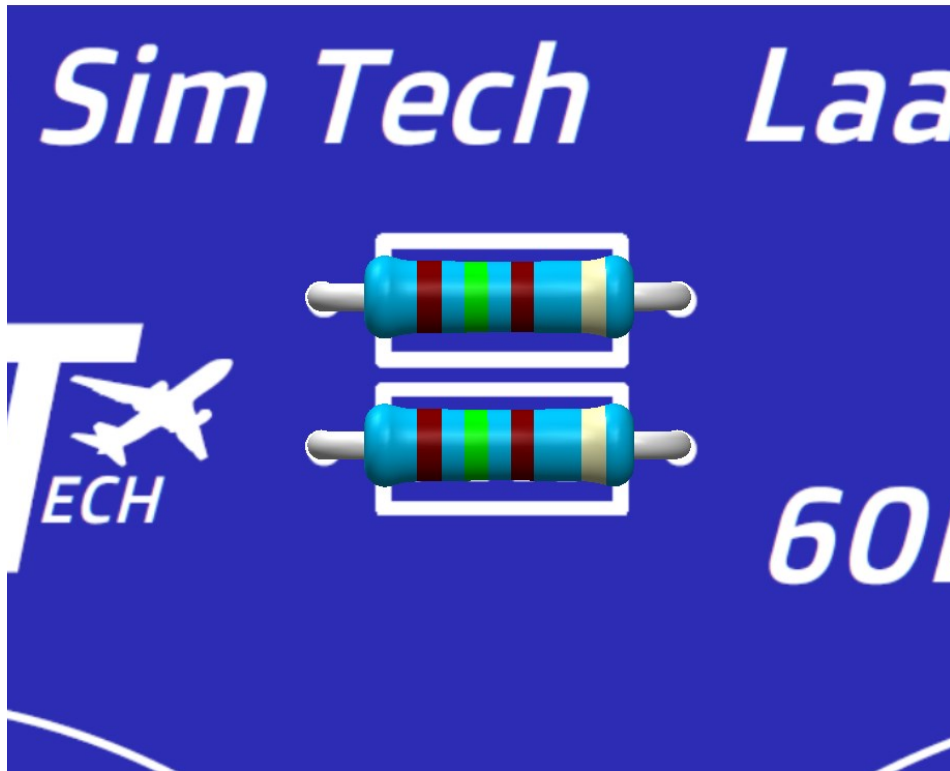


(1)	X27 Stepper	x2
(2)	Contacts for female connectors	x10
(3)	150Ω resistors	x2
(4)	PCB model 60DB12	x1
(5)	4 pin connector (M + F)	x2
(6)	2 pin connector (M + F)	x1
(7)	SMD Leds	x6

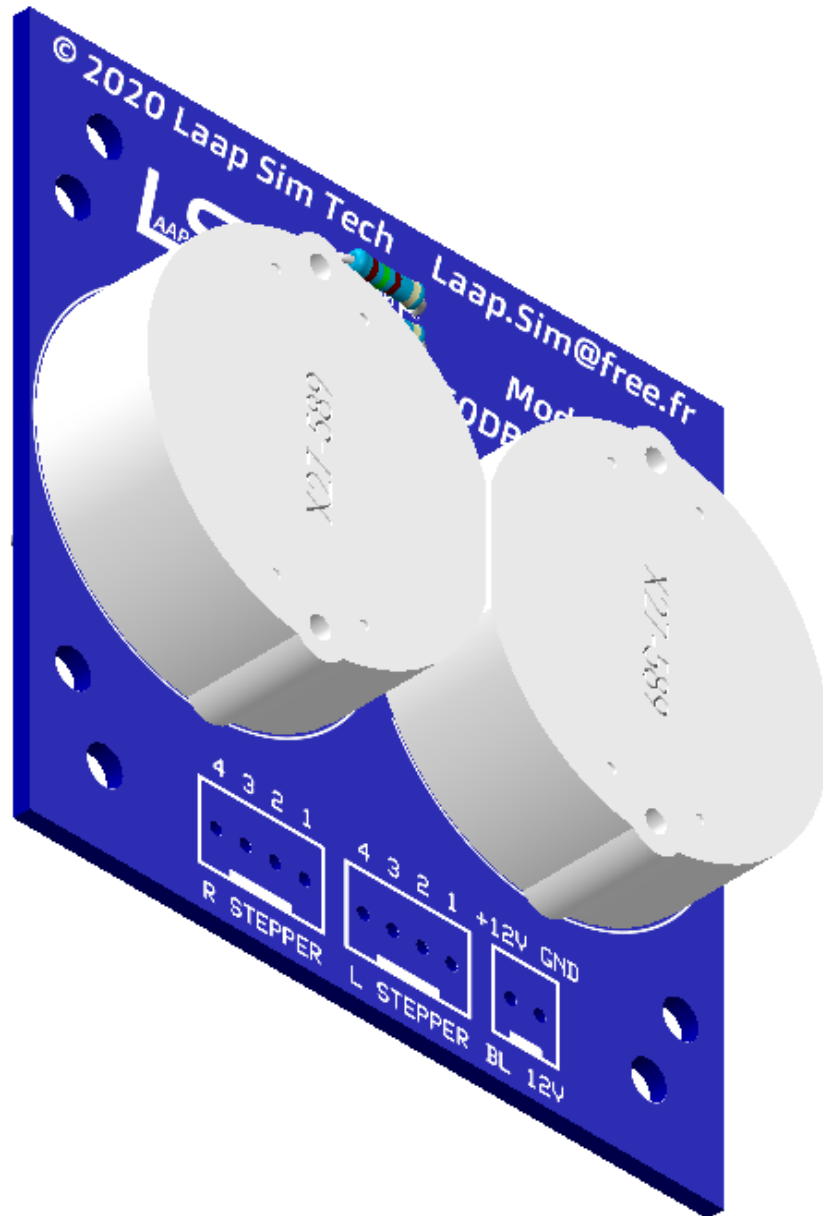
3a- SMD Leds (x6)



3b- Resistors R150 (x2)



3c- Stepper motor (x2)



3d- Connectors (x3)

